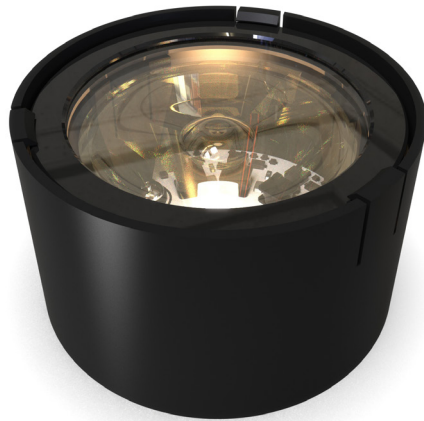


ARCANE

Technical Datasheet for Spotlight Module with LensVector Integration



Description

The Arcane is a spotlight module with LensVector integration, meaning intensity, colour and beam angle can be controlled wirelessly with no mechanical moving parts.

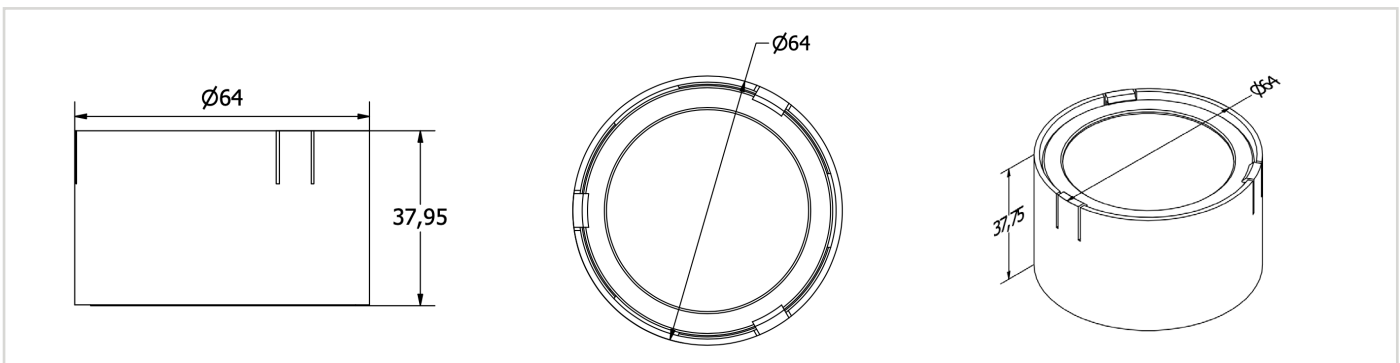
- Beam control from 15-55°(M2M) 15-35°(S2F)
- Colour Control; RGBW, Tunable & Single CCT options
- Intensity Control
- Perfect for OEMs, ready for integration into spotlights
- 64mm \varnothing x 37.95mm
- DALI Version Available



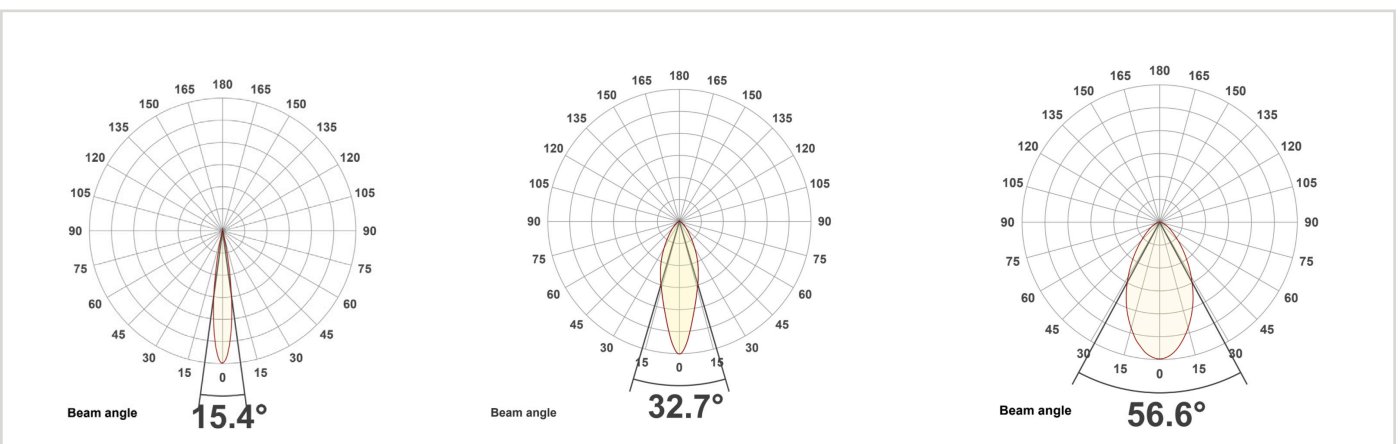
Technical Specifications

Dimensions:	64mm \varnothing x 37.95mm
Dimming Range:	0.1% to 100%
Beam Control:	15-55°(M2M) 15-35°(S2F)
Max. Power:	Up to 16W
Input Voltage:	24-48VDC
Wireless Beacons:	Yes
Lumen Output:	Up to 1500lm

Dimensions



Beam Angles



Wiring

